

Oil Safe[®]

Product Data Sheet

Product Name: 1.5 LITRE / 1.5 US QUART DRUM

Product Code: 009224

Dimensions: Width - 158mm / 6.2 inches
Height - 178mm / 7.0 inches
Outlet Size - 120mm / 4.7 inches

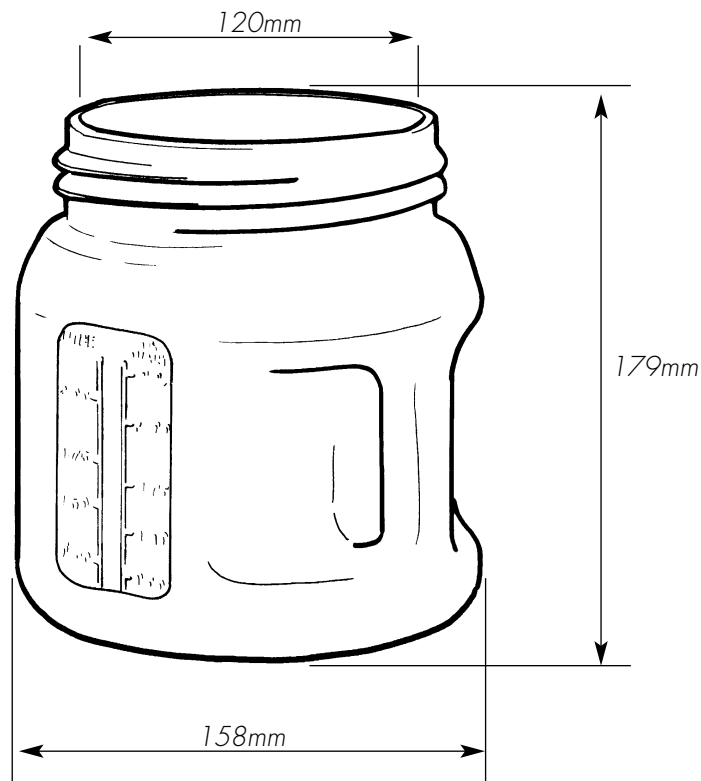
Weight: 318 grams / 11.1 ounces

Material: Ultra High Density Polyethylene (HDPE)
Very chemically resistant plastic however, contact with strong oxidising acids (eg. Ozone, Hydrogen Peroxide, Halogen etc) should be avoided.

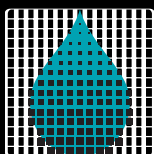
NOT SUITABLE FOR USE WITH FUELS OR SOLVENTS

Service Temperature: - 40 Deg C to 80 Deg C / - 40 Deg F to 176 Deg F

Additives: UV Stabiliser
Anti Static Additive



Distributed by:



The
Fluid Life
Corporation

The Fluid Life Corporation

9321 - 48 St.
Edmonton, Alberta T6B 2R4
Ph 780-462-2400
Fax 780-462-2420
Toll Free 1-877-962-2400

95 Copernicus Blvd
Brantford, Ontario N3P 1N4
Ph 519-720-9700
Fax 519-720-9705
www.fluidlife.com