

Filmax

MODEL FP3110P PORTABLE FILTRATION SYSTEM

WATER & PARTICULATE FILTRATION SYSTEM FOR SHOP OR SUBSTATION MAINTENANCE



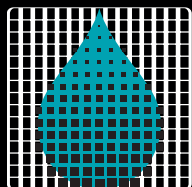
APPLICATIONS

Transformer Oil • Quench Oil • Hydraulic Oil
Turbine Oil • Gear Oil • Cutting Oil • Lube Oil

SPECIFICATIONS

- 1 HP TEFC Heavy Duty Motor with Thermal Overload Protection.
- 10 GPM Mechanically Sealed Positive Displacement Gear Pump with Internal Relief Valve.
- One (1) Polyurethane Powder Baked F-3000 Element Housing.
- Wired 110 volt, 1 Phase with all electrical components mounted in a NEMA 4 enclosure.
- Automatic High/Low Pressure Shut Down System for unattended operation.
- 0-100 PSI Glycerin Filled Gauge for monitoring system pressure.
- Plumbed with 3/4" Brass fittings and 2000 PSI High Pressure Steel Braided Hydraulic Hose with crimped hose ends.
- Two (2) 15 ft.-3/4" inlet and outlet hydraulic hoses with hose ends.
- Thirty (30) feet of Heavy Duty 12/3 Power Cable.
- Manufactured with 3-way ball valve for Fluid Transfer System and to allow for adding makeup oil.
- Suction-Wye Strainer to protect pump from large debris.
- Heavy duty 12" pneumatic tires.
- Filtration Capacity of 10 GPM with Fluid Transfer Setup.

Distributed by:



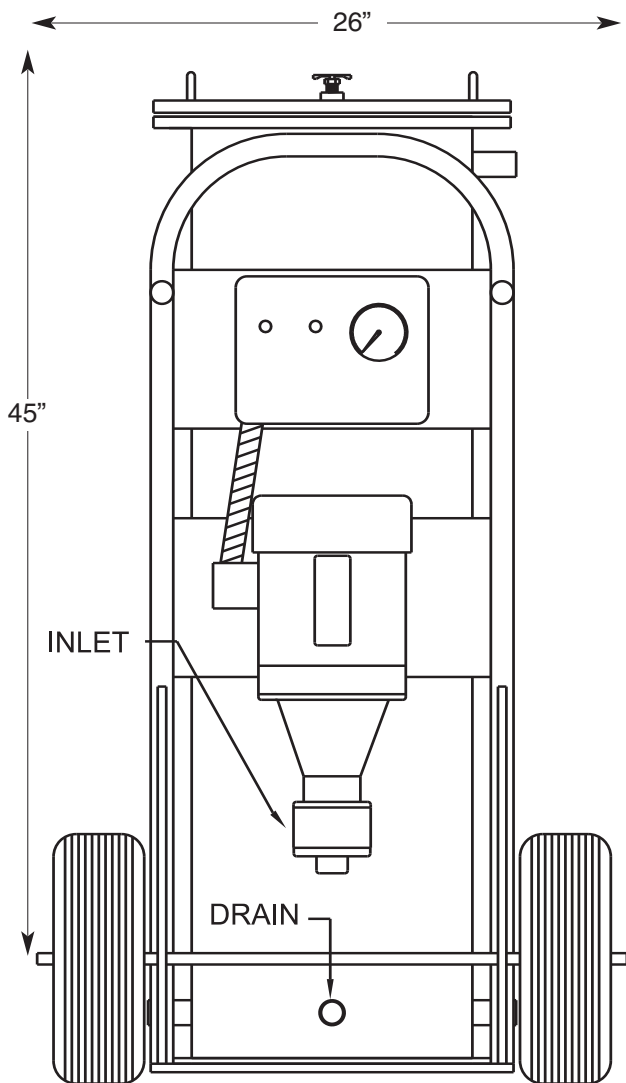
The
Fluid Life
Corporation



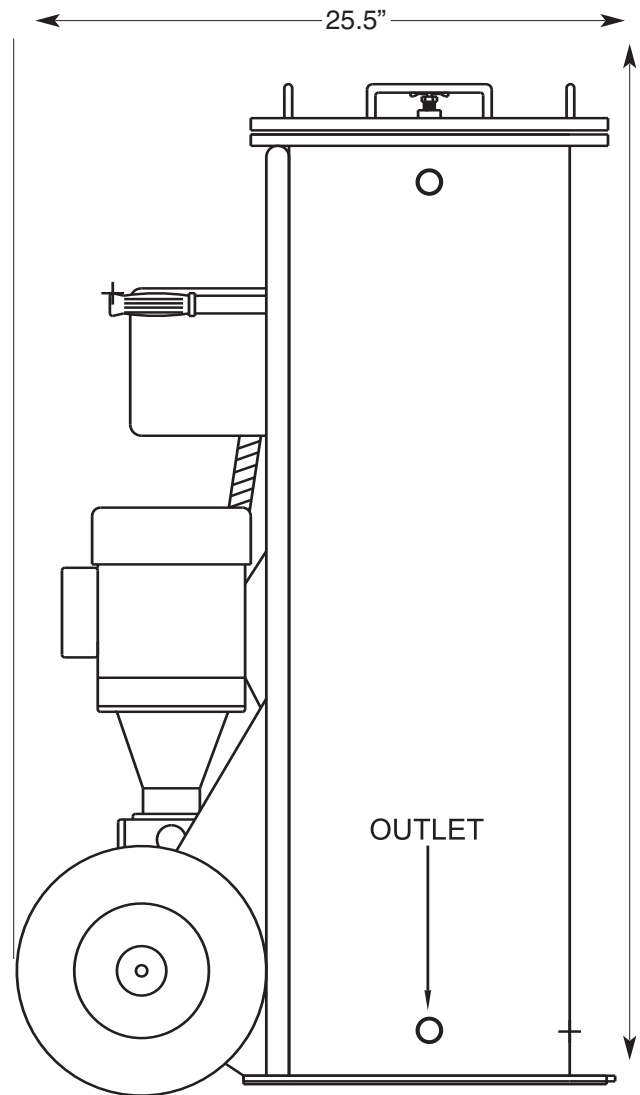
MODEL FP3110P

Water and Particulate Filtration System

BACK



SIDE



Filmax is the industry leader in the application of filtration technology for the removal of water and particulate contamination in insulating oil. Filmax holds the most recent patents for specific advancements in oil filtration technology, which allows the company to manufacture the finest oil filtration equipment in the industry. We at Filmax are committed and dedicated to providing the highest standard of customer service and technical support in the industry.

Head Office & Edmonton Laboratory:

The Fluid Life Corporation • 9321 - 48 St. • Edmonton, Alberta T6B 2R4 • Ph 780-462-2400 • Fax 780-462-2420 • Toll Free 1-877-962-2400

Ontario Laboratory:

The Fluid Life Corporation • 95 Copernicus Blvd. • Brantford, Ontario N3P 1N4 • Ph 519-720-9700 • Fax 519-720-9705