

Oil Safe[®]
Safe

Product Data Sheet

Product Name: STRETCH SPOUT HOSE EXTENSION

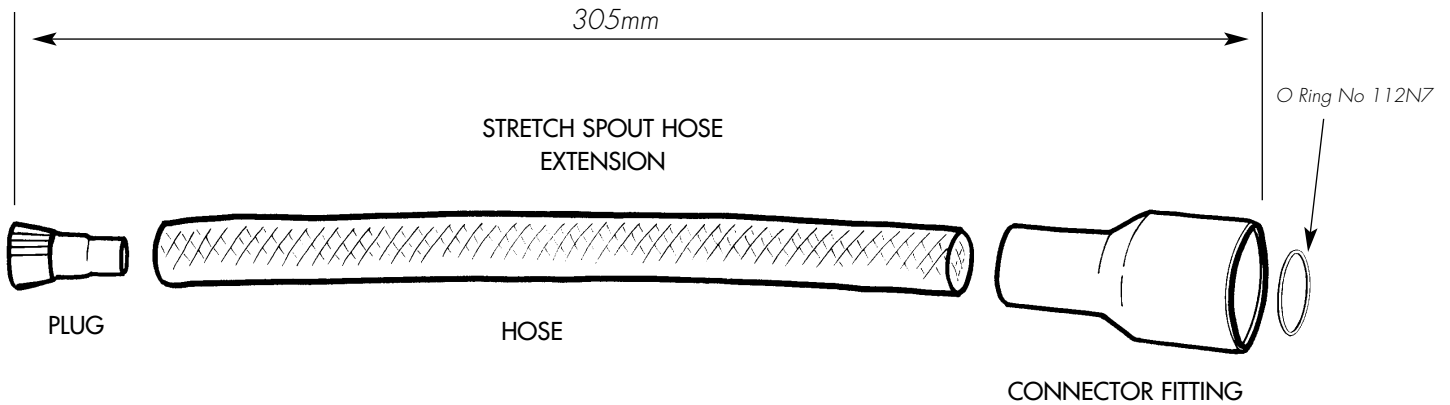
Part Number: 062499

Dimensions:
Length - 305 mm / 12.0 inches
Hose Diameter - 19mm / 0.75 inches
Outlet Size - 12mm / 0.5 inches

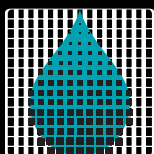
Weight: 70 grams / 2.5 ounces

Material:
Connector Fitting - High Density Polyethylene (HDPE)
Hose - Reinforced PVC Hose
Plug - High Density Polyethylene (HDPE)
O Ring - Nitrile (Bung N)

NOT SUITABLE FOR USE WITH FUELS OR SOLVENTS



Distributed by:



The
Fluid Life
Corporation

The Fluid Life Corporation

9321 - 48 St.
Edmonton, Alberta T6B 2R4
Ph 780-462-2400
Fax 780-462-2420
Toll Free 1-877-962-2400

95 Copernicus Blvd
Brantford, Ontario N3P 1N4
Ph 519-720-9700
Fax 519-720-9705
www.fluidlife.com